

Part Number: PT929-03181

Kit Contents

Item #	Quantity Req.	Description
1	1	Applique, RR Bumper
2		

Hardware Bag Contents

Item #	Quantity Req.	Description
1		
2		

Additional Items Required For Installation

Item #	Quantity Req.	Description
1		
2		

Conflicts

All Camry/HV LE & XLE models

Recommended Tools

Personal & Vehicle Protection	Notes
Protective Blanket	
Special Tools	Notes
Squeegee	4" (3M™Gold)
Low Friction Sleeve	3M SA-1 (OPTIONAL)
Surface Thermometer	Infrared Non-contact
Heat Gun	Master Heat Gun HG-301A or equivalent
Installation Tools	Notes
Lint Free Cloth	
Special Chemicals	Notes
Cleaner	VDC approved cleaner and cleaning method

General Applicability

All Camry/HV SE and XSE models only

Recommended Sequence of Application







Item #	Accessory
1	
2	

*Mandatory

Vehicle Service Parts (may be required for reassembly)

Item #	Quantity Req.	Description
1		
2		

Legend

	STOP: Damage to the vehicle may occur. Do not proceed until process has been complied with.
	OPERATOR SAFETY: Use caution to avoid risk of injury.
	CAUTION: A process that must be carefully observed in order to reduce the risk of damage to the accessory/vehicle and to ensure a quality installation.
	TOOLS & EQUIPMENT: Used in Figures calls out the specific tools and equipment recommended for this process.
	REVISION MARK: This mark highlights a change in installation with respect to previous issue.
	SAFETY TORQUE: This mark indicates that torque is related to safety.

Procedure

Care must be taken when installing this accessory to ensure damage does not occur to the vehicle. The installation of this accessory should follow approved guidelines to ensure a quality installation.


These guidelines can be found in the "Accessory Installation Practices" document.

This document covers such items as:-

- Vehicle Protection (use of covers and blankets, cleaning chemicals, etc.).
- Safety (eye protection, rechecking torque procedure, etc.).
- Vehicle Disassembly/Reassembly (panel removal, part storage, etc.).
- Electrical Component Disassembly/Reassembly (battery disconnection, connector removal, etc.).

Please see your Toyota dealer for a copy of this document.

1. Prepare the Vehicle.

-  (a) The part and vehicle surface temperature must be maintained between 65°F and 90°F (18°C and 32°C) for optimum installation. Store parts flat at room temperature in a clean dry place.
- (b) Place a protective blanket in the trunk area to protect from overspray of wetting agent.
- (c) Clean the entire application surface to remove grease and wax. Clean the entire area with a VDC-approved cleaner and cleaning method (Fig. 1-1)
- (d) Wipe the cleaned surface with a clean, dry, lint-free cloth.

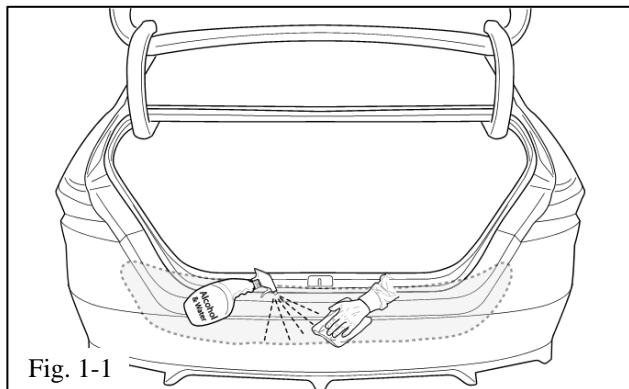


Fig. 1-1

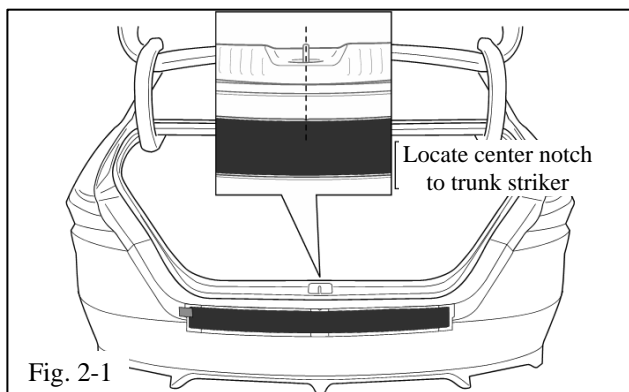

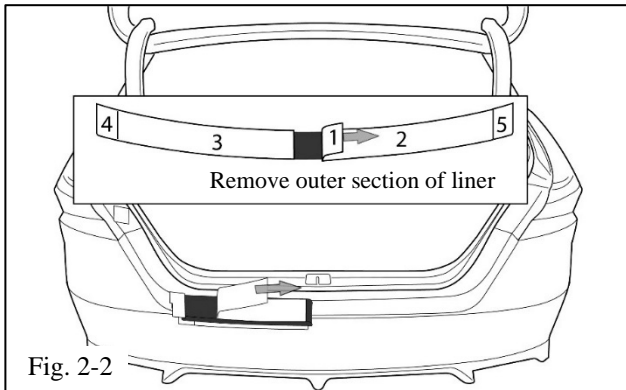


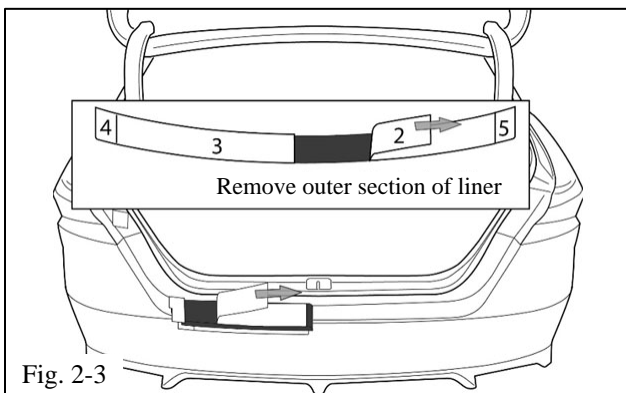
Fig. 2-1

2. Install the Rear Bumper Applique.

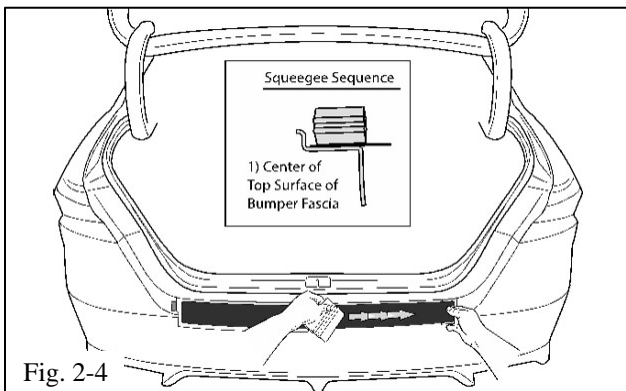
-  (a) Align the center notch directly below the striker latch opening and the leading edge of the liner to the rearward ridge on the bumper. (Fig. 2-1).



- (b) Flip over the right side of the bumper applique and remove the liner section (1) while holding and pulling with section (2) (Fig. 2-2).



- (c) While holding the bumper applique over the bumper, begin to squeegee the top part of the bumper applique at section (1), using firm overlapping strokes onto the bumper while keeping a constant visual edge (Fig. 2-3).



- (d) Remove section (2) (Fig. 2-3) and squeegee the top of the part keeping a constant visual alignment of the bumper applique to the fascia edge of the bumper by holding section (5) in place (Fig. 2-4).

NOTE: Ensure the bumper applique does not fold over and make contact with the vertical edge of the bumper fascia. This is critical to avoid trapping air.

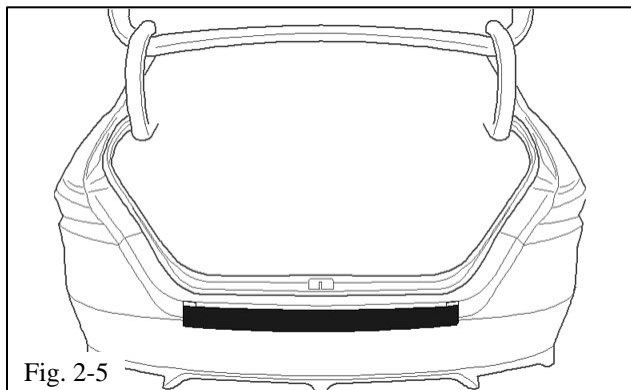


Fig. 2-5

(e) Repeat step 2(b) for the left side of the bumper applique making sure sections (4) and (5) remain in alignment with the fascia edge. (Fig. 2-5).

(f) Remove sections (4) & (5) and squeegee the part onto the vehicle.

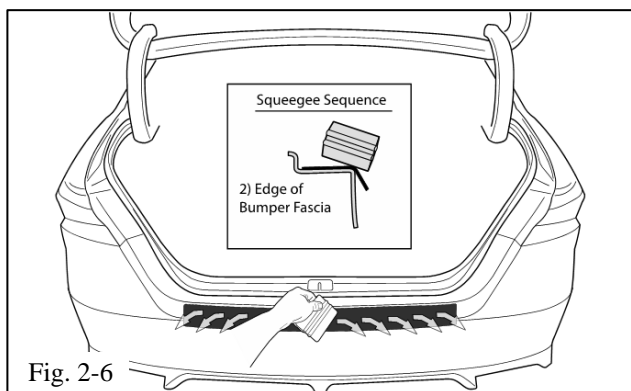


Fig. 2-6

(g) Starting at the center of the bumper applique, only squeegee the edges outwards using firm overlapping strokes (Fig. 2-6).

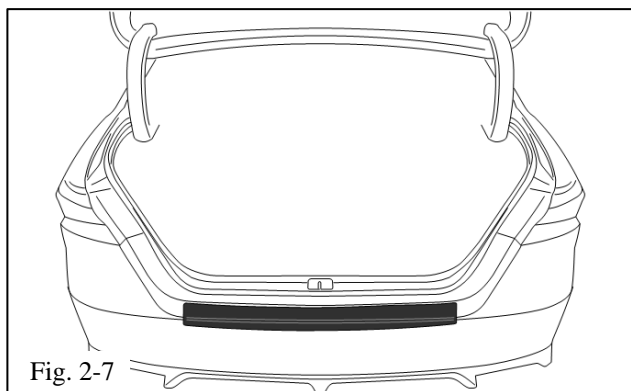


Fig. 2-7

(h) Inspect the bumper applique for any damage or incorrect installation. Repair or replace as necessary (Fig. 2-7).

TOYOTA CAMRY/HV 2018 - REAR BUMPER APPLIQUE (BLK)
Checklist - these points **MUST** be checked to ensure a quality installation.

<u>Check:</u>	<u>Look For:</u>
<p><u>Accessory Function Checks</u></p> <p><input type="checkbox"/> Proper adhesion – Visual</p> <p><input type="checkbox"/> Proper adhesion – Physical</p> <p><input type="checkbox"/> Proper alignment – Cross-Car</p>	<p>Look for bubbles, loose and lifting edges.</p> <p>With light pressure, rub a hand over the top of the part and if a crackling sound occurs, re-squeegee. If bubbles cannot be worked out to the nearest edge, replace the part.</p> <p>The part must be centered within +/-3 mm.</p>
<p><u>Vehicle Appearance Check</u></p> <p><input type="checkbox"/> After accessory installation and removal of protective cover(s), perform a visual inspection.</p>	<p>Ensure no damage (including scuffs and scratches) was caused during the installation process. (For PPO installations, refer to TMS Accessory Quality Shipping Standard.)</p>